

# Model SDG

## Explosion Proofed Pressure Transmitter with Local Indication

### Description

The SDG model accurately measures gauge, absolute vacuum pressure and transmit proportional 4 to 20mA signal. The transmitter with LCD display being explosion proofed bring true precision and reliability to industrial pressure monitoring applications. It offers you with a very competitive price and high quality.

### Features

- ▶ Explosion proof approval to Ex d IIB T4
- ▶ 3 1/2 digit LCD display
- ▶ Built-in amplifier circuit(VDC, mA)
- ▶ Optional 2-channel switching output (Relay output or NPN open collector output)
- ▶ Measuring range 0~1500kgf/cm<sup>2</sup>
- ▶ 0.2 / 0.5%FS accuracy
- ▶ 11~28VDC or 110~220VAC(50~60Hz) excitation voltage

### Applications

- ▶ Process control & monitoring
- ▶ Hydraulics & Pneumatic
- ▶ Chemical & Petrochemical
- ▶ Liquid level measurement
- ▶ Food & Pharmaceutical
- ▶ Gas transmission pipe-line
- ▶ Plant utilities monitoring

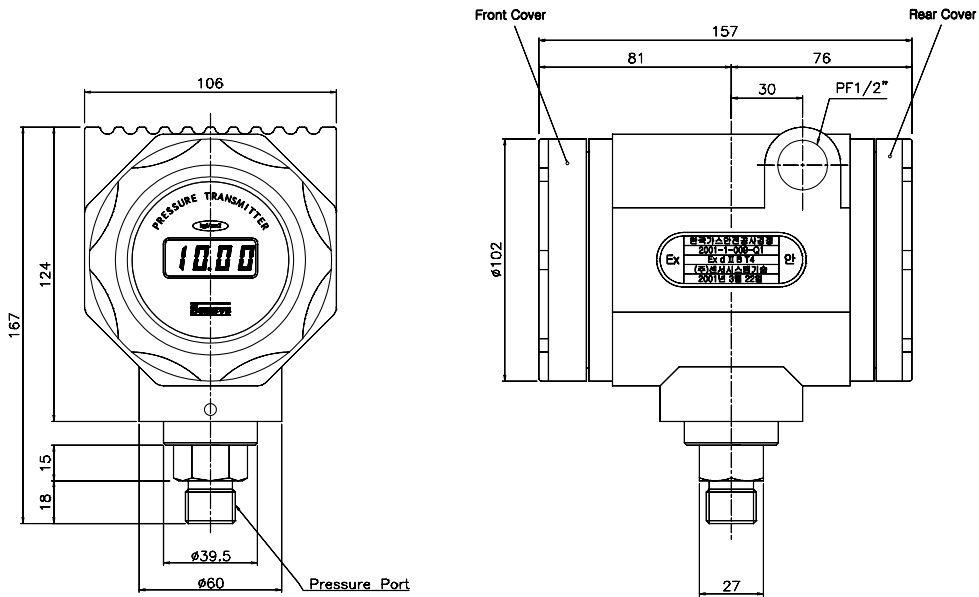


### Specifications

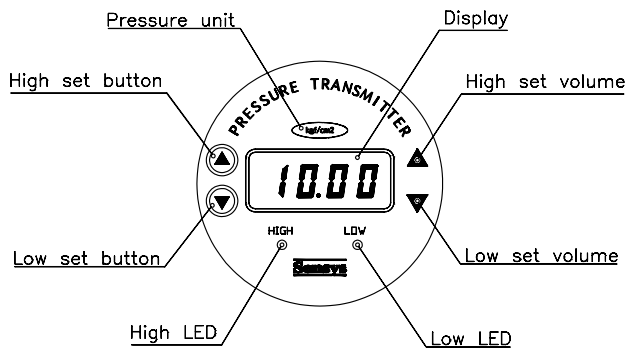
	SDGH	SDGS
<b>Range</b>	-760mmHg-0, 0.05, 0.1, 0.2, 0.3, 0.5, 1, 2, 3, 5, 7, 10, 20, 30, 50, 35, 100, 200, 300, 350 kgf/cm <sup>2</sup> (Gauge or Absolute)	0~5, 10, 20, 30, 50, 100, 200, 300, 350, 500, 1000, 1500kgf/cm <sup>2</sup> (Gauge)
<b>Performance</b>		
Accuracy	±0.2%FS ± 1digit	±0.5%FS ± 1digit
Thermal Effect on Zero	±0.03%FS/°C	±0.06%FS/°C
Thermal Effect on Span	±0.03%FS/°C	±0.06%FS/°C
Compensated Temperature Range	0 ~ 50°C	
Operating Temperature Range	-20 ~ 80°C	
<b>Electrical</b>		
Display	±1999(3 1/2) Digit LCD	
Excitation	11 ~ 28VDC, 85~264VAC(50~50Hz)	
Output	2Channel Relay, 2Channel NPN Open Collector	
Switching Signal	4~20mA(2, 3 Wire), 0~5VDC, 1~5VDC, 0~10VDC(3, 4Wire)	
Analog Signal	PF 1/2", Cable Gland	
Electrical Connection		
<b>Physical</b>		
Proof Pressure	200%FS Max.	150%FS Max.
Burst Pressure	300%FS Min.	200%FS Min.
Vibration	49.1m/s <sup>2</sup> {5G}, 10~500Hz	
Shock	490m/s <sup>2</sup> {50G}	
Pressure Port	PT(PF)1/2", Flange & Other Connection Available on Request	
Media-Wetted Materials	Stainless Steel 316, VITON Stainless Steel 630, Titanium 87%, EPDM	
Explosion Proof	Ex d IIB T4	
Weight	Approx. 2kg (Standard type only)	

# Dimension

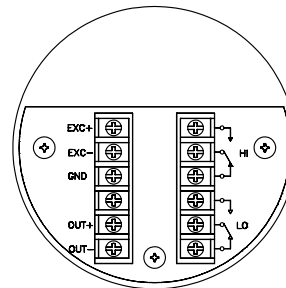
## ► Out Dimension



## ► Switching Output Type

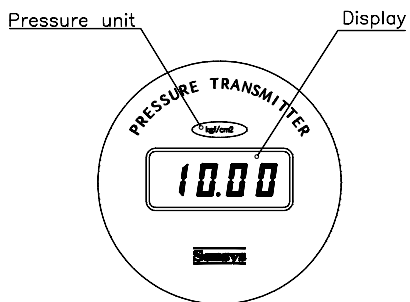


Front Panel

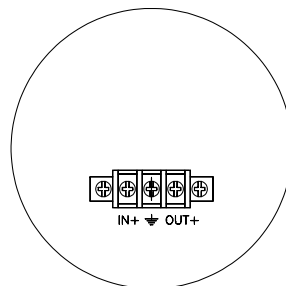


Terminal

## ► 2wire mA Output Type



Front Panel



Terminal

# Ordering Information

**SDGH H A 0010 K E A G**

## Model Name

SDGS : Accuracy 0.5%FS  
 SDGH : Accuracy 0.2%FS

## Analog Output

B : 0~5V  
 D : 1~5V  
 F : 4~20mA  
 H : 4~20mA(2Wire)  
 K : 0~10V

## Switching Output

A : None  
 B : 2-Ch. Relay  
 C : 2-Ch. NPN Open Collector

## Pressure Range

0.05 : 0~0.05kgf/cm <sup>2</sup>	0030 : 0~30kgf/cm <sup>2</sup>
00.1 : 0~0.1kgf/cm <sup>2</sup>	0050 : 0~50kgf/cm <sup>2</sup>
00.2 : 0~0.2kgf/cm <sup>2</sup>	0100 : 0~100kgf/cm <sup>2</sup>
00.3 : 0~0.3kgf/cm <sup>2</sup>	0200 : 0~200kgf/cm <sup>2</sup>
00.5 : 0~0.5kgf/cm <sup>2</sup>	0300 : 0~300kgf/cm <sup>2</sup>
0001 : 0~1kgf/cm <sup>2</sup>	0350 : 0~350kgf/cm <sup>2</sup>
0002 : 0~2kgf/cm <sup>2</sup>	0500 : 0~500kgf/cm <sup>2</sup>
0003 : 0~3kgf/cm <sup>2</sup>	1000 : 0~1000kgf/cm <sup>2</sup>
0005 : 0~5kgf/cm <sup>2</sup>	1500 : 0~1500kgf/cm <sup>2</sup>
0007 : 0~7kgf/cm <sup>2</sup>	CXXX : Compound Pressure
0010 : 0~10kgf/cm <sup>2</sup>	
0020 : 0~20kgf/cm <sup>2</sup>	

## Type of Pressure Measurement

G : Gauge  
 J : Absolute

## Excitation

A : 11~28VDC  
 B : 85~264VAC  
 (50~60Hz)

## Pressure port

E : PT1/2"  
 Q : PF1/2"  
 \*. Flange & Other Connection  
 Available on Request

## Pressure Unit

K : kgf/cm<sup>2</sup>  
 P : psi  
 H : mmHg  
 B : bar  
 M : MPa  
 C : cmH<sub>2</sub>O