

# Model PTA

## General Purpose Pressure Transducer

### Description

PTA model has applied Silicon Piezoresistive cell, which attached High Temperature Glass on Titanium. Since it does not use O-ring, there is no possibility of corrosion and leak. Its low price makes it suitable for industrial uses. With its various outputs, it may be interfaced with various controllers.

### Features

- ▶ CE Certified
- ▶ Built-in amplifier Circuit(VDC, mA)
- ▶ Measuring range 0 ~ 1,500kgf/cm<sup>2</sup>g
- ▶ 0.5%FS accuracy
- ▶ Piezoresistive silicon cell
- ▶ Zero, Span Adjustable
- ▶ Stainless steel, Titanium media-wetted materials

### Applications

- ▶ Process control
- ▶ Hydraulics & Pneumatic
- ▶ Compressor Control
- ▶ Chillers
- ▶ Refrigeration Equipment

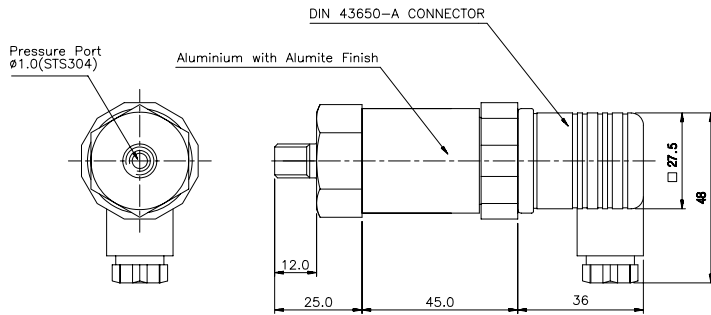


### Specifications

<b>Range</b>	2, 5, 10, 20, 30, 50, 100, 200, 300, 500, 1000, 1500kgf/cm <sup>2</sup>
<b>Performance</b>	
Accuracy	±0.5%FS
Linearity	±0.35%FS
Hysteresis	±0.15%FS
Repeatability	±0.15%FS
Thermal Effect on Zero	±0.05%FS/°C (2kgf/cm <sup>2</sup> : ±0.1%FS/°C)
Thermal Effect on Span	±0.05%FS/°C (2kgf/cm <sup>2</sup> : ±0.1%FS/°C)
Compensated Temperature Range	0 ~ 50°C
Operating Temperature Range	-30 ~ 100°C
<b>Electrical</b>	
Excitation	11 ~ 28VDC(PTAA 12VDC Max.)
Output	10~20mV/V(Din Type Only) 0~5VDC, 1~5VDC, 0~10VDC(3, 4Wire), 4~20mA(2, 3 Wire)
Electrical Connection	Connector, Head, Din Connector
<b>Physical</b>	
Proof Pressure	150%FS Max.
Burst Pressure	200%FS Min.
Vibration	49.1m/s <sup>2</sup> {5G}, 10~500Hz
Shock	490m/s <sup>2</sup> {50G}
Pressure Port	7/16-20UNF, PT1/8", PF1/8", PT1/4", PF1/4", PT 3/8", PF 3/8"
Media-Wetted Materials	Stainless Steel 304(Optional 316), Titanium 87%
Weight	Connector type : Approx. 140g (Sensor Only)

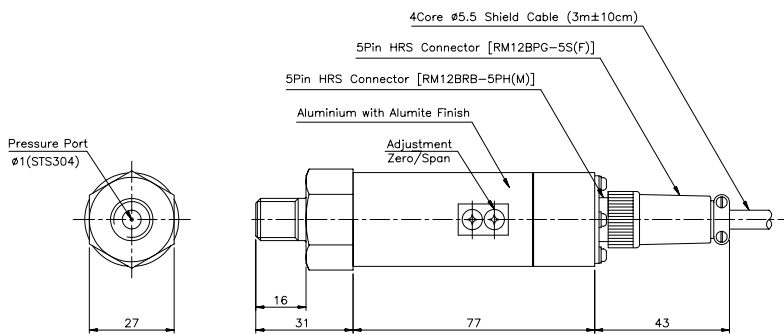
# Dimension

## ► mV Output DIN Connector Type



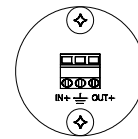
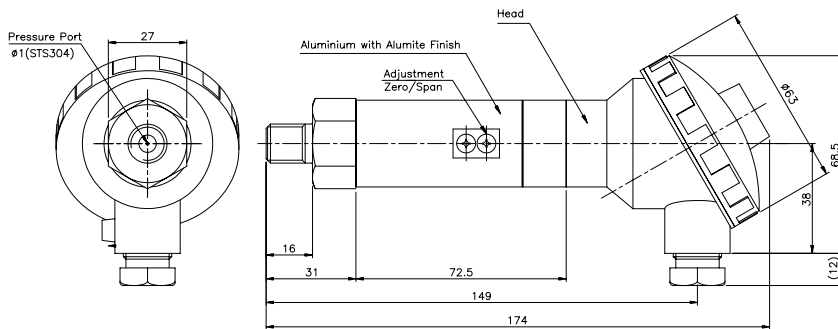
Pin No.	Connections
1	Input ⊕
2	Output ⊖
3	Input ⊖
4	Output ⊕
5	Earth

## ► Connector Type



Pin No.	Wire Color	Connections		
		4Wire	3Wire	2Wire
1	Red	Input ⊕	Input ⊕	Input ⊕
2	White	Output ⊖	Common ⊖	×
3	Black	Input ⊖	×	Output ⊕
4	Green	Output ⊕	Output ⊕	×
5	Shield	Earth	Earth	Earth

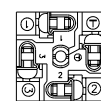
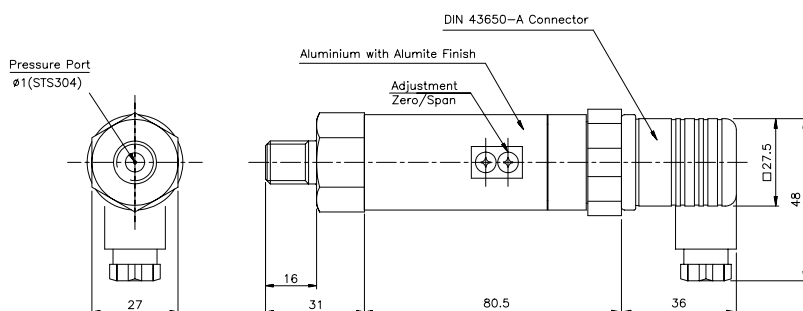
## ► Head Type



Terminal

No.	Connections
	2Wire
1	Input ⊕
2	Earth
3	Output ⊕

## ► Din connector Type



Terminal

Pin No.	Connections	
	3Wire	2Wire
1	Input ⊕	Input ⊕
2	Common ⊖	Output ⊕
3	Output ⊕	×
⊥	Earth	Earth

