

# Model PSH(Flush Diaphragm)

High Performance Pressure Transducer

## Description

The PSH(Flush Diaphragm) model is designed as a flush diaphragm suitable for sanitary use and is high precise for tank levels. Media-wetted materials thereof are composed by stainless steel 316 to have superior corrosion-resistant properties. It is applied to precise measurement and builds an amplifier therein to interface with various kinds of controllers.

## Features

- ▶ VDC, mA output
- ▶ Measuring range 0~35kgf/cm<sup>2</sup>
- ▶ 0.15%FS accuracy
- ▶ Gauge and absolute measurement
- ▶ Piezoresistive silicon cell
- ▶ Stainless steel(316L) media-wetted materials

## Applications

- ▶ Food Process control
- ▶ Water Resource management
- ▶ Sewage Water & Slurry
- ▶ Glues & Resins
- ▶ Oils & Lubricants
- ▶ Cosmetics & Pulps
- ▶ Abrasive Liquids



## Specifications

### Range

-760mmHg~0, 0.05 0.1, 0.2, 0.3, 0.5, 1, 2, 3, 5, 7, 20, 35 kgf/cm<sup>2</sup> (Gauge, Absolute)

### Performance

Accuracy	±0.15%FS(RSS)
Thermal Effect on Zero	±0.03%FS/°C
Thermal Effect on Span	±0.03%FS/°C
Compensated Temperature Range	0 ~ 70°C
Operating Temperature Range	-20 ~ 80°C

### Electrical

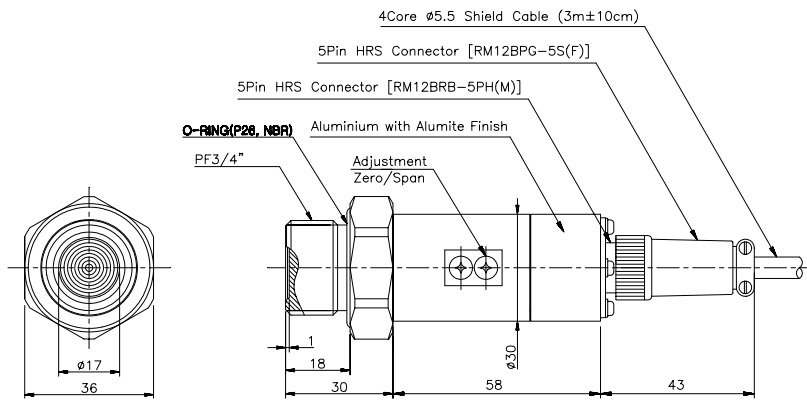
Excitation	11 ~ 28VDC
Output	0~5VDC, 1~5VDC, 0~10VDC(3, 4Wire) 4~20mA(2, 3 Wire)
Electrical Connection	Connector, Head, Din Connector

### Physical

Proof Pressure	300%FS Max.
Burst Pressure	500%FS Min.
Vibration	49.1m/s <sup>2</sup> {5G}, 10~500Hz
Shock	490m/s <sup>2</sup> {50G}
Pressure port	PF3/4"
Media-Wetted Materials	Stainless Steel 316L, Viton
Weight	Connector type : Approx. 180g (Sensor Only)

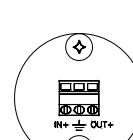
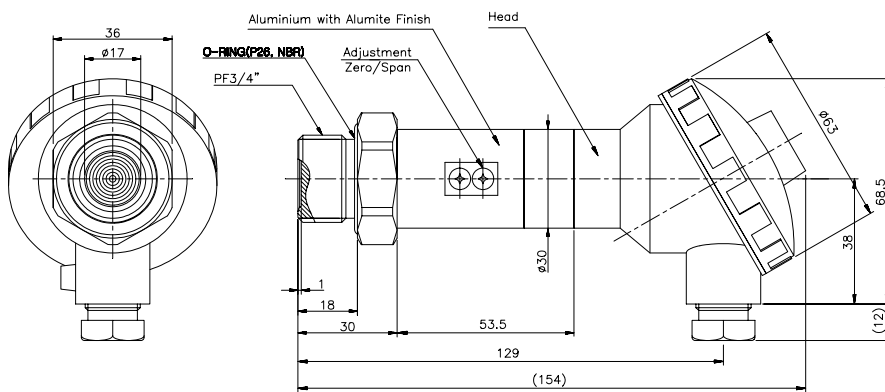
## Dimension

### ► Connector Type



Pin No.	Wire Color	Connections		
		4Wire	3Wire	2Wire
1	Red	Input ⊕	Input ⊕	Input ⊕
2	White	Output ⊖	Common ⊖	×
3	Black	Input ⊖	×	Output ⊕
4	Green	Output ⊕	Output ⊕	×
5	Shield	Earth	Earth	Earth

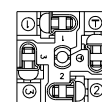
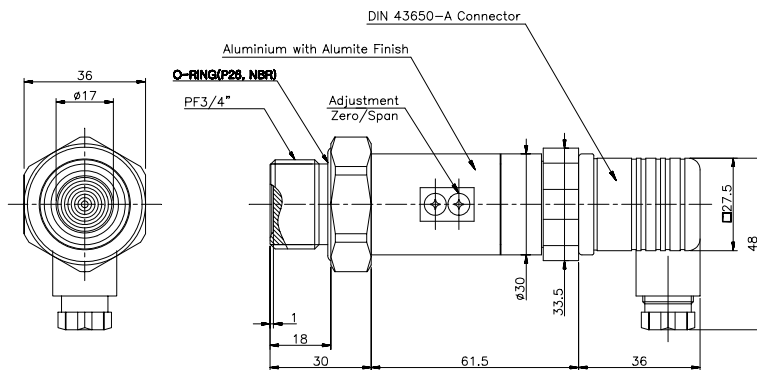
### ► Head Type



Terminal

No.	Connections
	2Wire
1	Input ⊕
2	Earth
3	Output ⊕

### ► Din connector Type

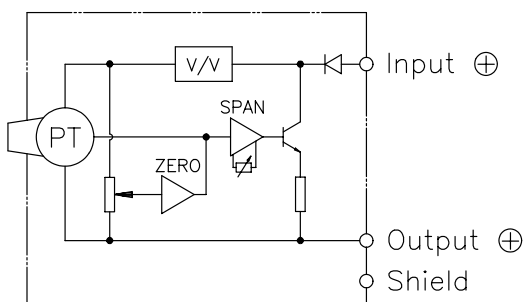


Terminal

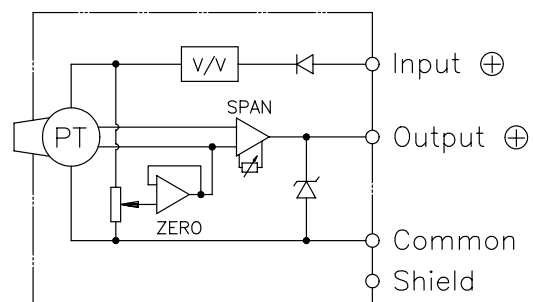
Pin No.	Connections	
	3Wire	2Wire
1	Input ⊕	Input ⊕
2	Common ⊖	Output ⊕
3	Output ⊕	×
⊥	Earth	Earth

## Internal Circuit Diagram

### ► 2Wire mA Output Type



### ► 3, 4Wire VDC Output Type



## Ordering Information

Model Name		PSH B 0001		K	I	A	G	Type of Pressure Measurement	
<b>Output</b>		G : 3Wire 4~20mA						G : Gauge J : Absolute	
B : 4Wire 0~5V		H : 2Wire 4~20mA						<b>Connecting Methods</b>	
C : 3Wire 0~5V		J : 3Wire 0~10V						A : Connector	
D : 4Wire 1~5V		K : 4Wire 0~10V						B : Water proof connector	
E : 3Wire 1~5V								H : Head	
F : 4Wire 4~20mA								I : Din 43650-A connector	
<b>Pressure Range</b>		0002 : 0~2kgf/cm <sup>2</sup>						<b>Pressure port</b>	
-760 : 0~-760mmHg		0003 : 0~3kgf/cm <sup>2</sup>						I : PF3/4" (Flush Diaphragm)	
0.05 : 0~0.05kgf/cm <sup>2</sup>		0005 : 0~5kgf/cm <sup>2</sup>						<b>Pressure Unit</b>	
00.1 : 0~0.1kgf/cm <sup>2</sup>		0007 : 0~7kgf/cm <sup>2</sup>						K : kgf/cm <sup>2</sup> B : bar	
00.2 : 0~0.2kgf/cm <sup>2</sup>		0020 : 0~20kgf/cm <sup>2</sup>						P : psi              M : MPa	
00.3 : 0~0.3kgf/cm <sup>2</sup>		0035 : 0~35kgf/cm <sup>2</sup>						H : mmHg          C : cmH <sub>2</sub> O	
00.5 : 0~0.5kgf/cm <sup>2</sup>		CXXX : Compound Pressure							
0001 : 0~1kgf/cm <sup>2</sup>									