

Model PTD

General Purpose Pressure Transducer

Description

PTD model has applied Silicon Piezoresistive cell, which attached High Temperature Glass on Titanium. Since it does not use O-ring, there is no possibility of corrosion and leak. Its low price makes it suitable for industrial uses. With its various outputs, it may be interfaced with various controllers.

Features

- ▶ CE Certified
- ▶ Built-in amplifier Circuit(VDC, mA)
- ▶ Measuring range 0 ~ 1,500kgf/cm²g
- ▶ 0.5%FS accuracy
- ▶ Piezoresistive silicon cell
- ▶ Stainless steel, Titanium media-wetted materials

Applications

- ▶ Process control
- ▶ Hydraulics & Pneumatic
- ▶ Compressor Control
- ▶ Chillers
- ▶ Refrigeration Equipment



Specifications

Range

2, 5, 10, 15, 20, 30, 50, 100, 200, 300, 500, 1000, 1500kgf/cm²

Performance

Accuracy	±0.5%FS
Linearity	±0.35%FS
Hysteresis	±0.15%FS
Repeatability	±0.15%FS
Thermal Effect on Zero	±0.05%FS/°C
Thermal Effect on Span	±0.05%FS/°C
Compensated Temperature Range	0 ~ 50°C
Operating Temperature Range	-20 ~ 80°C

Electrical

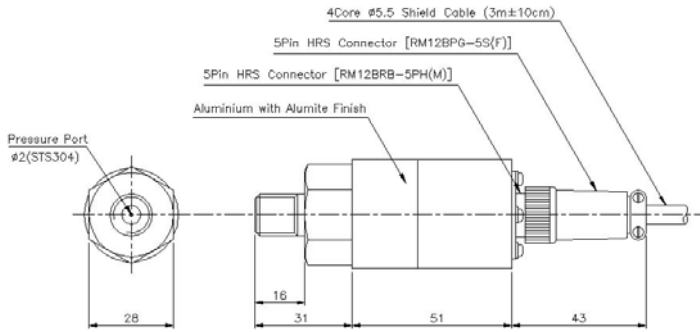
Excitation	11 ~ 28VDC(PTDA 12VDC Max.)
Output	10~20mV/V 1~5VDC, 4~20mA(2Wire)
Electrical Connection	Connector, Head, Din Connector

Physical

Proof Pressure	150%FS Max.
Burst Pressure	200%FS Min.
Vibration	49.1m/s ² {5G}, 10~500Hz
Shock	490m/s ² {50G}
Pressure Port	PT1/8", PF1/8", PT1/4"(Stock), PF1/4", PT 3/8"(Stock), PF 3/8"
Media-Wetted Materials	Stainless Steel 304(Optional 316), Titanium 87%
Weight	Connector type : Approx. 140g (Sensor Only)

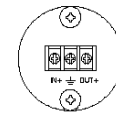
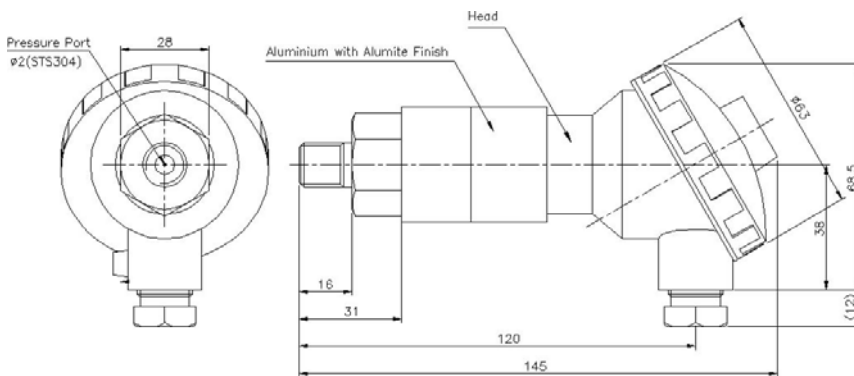
Dimension

► Connector Type



Pin No.	Wire Color	Connections		
		4Wire	3Wire	2Wire
1	Red	Input ⊕	Input ⊕	Input ⊕
2	White	Output ⊖	Common ⊖	×
3	Black	Input ⊖	×	Output ⊕
4	Green	Output ⊕	Output ⊕	×
5	Shield	Earth	Earth	Earth

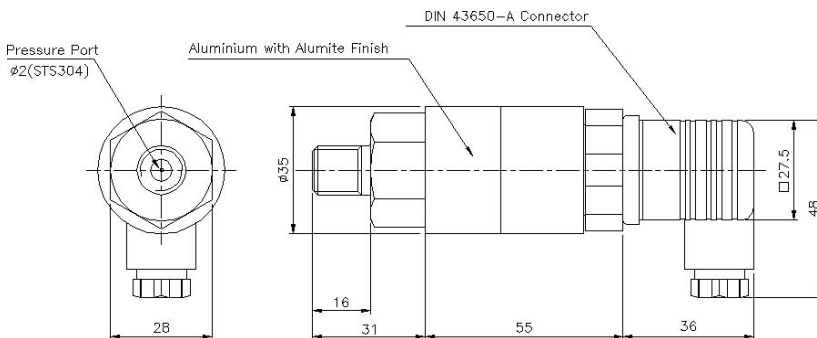
► Head Type



Terminal

No.	Connections
	2Wire
1	Input ⊕
2	Earth
3	Output ⊕

► Din connector Type



Terminal

Pin No.	Connections	
	3Wire	2Wire
1	Input ⊕	Input ⊕
2	Common ⊖	Output ⊕
3	Output ⊕	×
⊥	Earth	Earth

