

### ◆ FEATURES

- 사용자의 선택에 따라 입력형태(4종)을 자유롭게 변경하여 사용이 가능.
- 고성능, 고정도의 16bit A/D CONVERTER 사용.
- 경보출력 : 2ALARM (개별적으로 상,하한 설정 가능)
- PULSE(OPEN COLLECTOR) OUTPUT.
- OUTPUT: ISOLATION mA, mV, V
- RS 485 COMMUNICATION



**MODEL**      **HD-2200** -

### INPUT type

1. mA, V, PULSE
2. mV

### OUTPUT(OPTION)

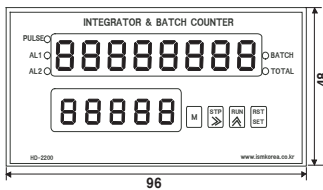
0. NONE
1. 4 ~ 20mA or 1 ~ 5V
2. RS 485

### POWER

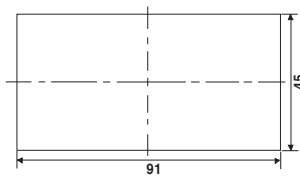
1. AC 85~264V 50/60Hz

### DIMENSION (외형 및 취부방법)

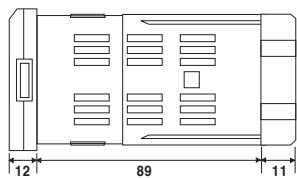
#### ◆ FRONT VIEW



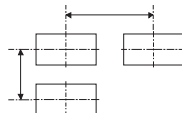
#### ◆ PANEL CUTTING



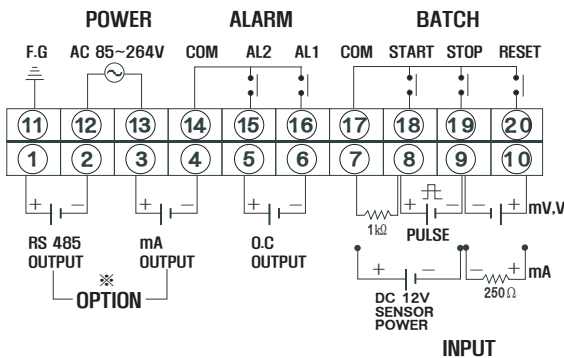
#### ◆ SIDE VIEW



#### ◆ 취부 방법



### TERMINAL CONNECTION



### SPECIFICATIONS (제품사양)

ITEM	SPECIFICATIONS	
INPUT 종류	mA, mV, V, PULSE	
SCALING	0 ~ 9999, 0~99990	
DISPLAY	적산 : 8DIGIT (RED /0.4inch)	
	순시 : 5DIGIT (GREEN /0.315inch)	
ACCURACY	High value of $\pm 0.2\%$ Full Scale	
INPUT MEASURING CYCLE	200mS	
INPUT RESISTANCE	VOLT	400k $\Omega$
	mA	250 $\Omega$ / $\pm 0.1$ 25ppm 저항
	OTHER	1M $\Omega$ or More
MAXIMUM SIGNAL RESISTANCE	VOLT	300 $\Omega$ or Less/Line
	OTHER	1k $\Omega$ or Less/Line
SENSOR POWER	DC 12V/30mA $\pm 0.5\%$ 이내	
ALARM 출력	접점출력 상태	Normal open
	Max, switching power	750 VA, 90W
	Max, switching voltage	250V AC, 110V DC
	Max, switching current	5A
	Max, switching capacity	3A DC, AC
POWER SUPPLY	4VA AC 85~264V (50/60Hz) DC 24V (OPTION)	
INSULATION RESISTANCE	FG-INPUT	100M $\Omega$ or More(500V AC)
	FG-POWER	100M $\Omega$ or More(500V AC)
	POWER-INPUT	100M $\Omega$ or More(500V AC)
AMBIENT TEMPER HUMIDITY	OPERATION -10~60 $^{\circ}$ C / 10~90%	
WEIGHT	APPROX. 310g	
HOUSING MATERIAL	ABS plastic(black)	
DIMENSION	96(W) $\times$ 48(H) $\times$ 112(D)mm	
INSTALLATION	PANEL MOUNTING TYPE	