

Features

- Close loop control
- 24 bit Analog digital converter (ADC)
- Output accuracy $\pm 0,1\%$, $\pm 2,5\mu\text{A}$ (4~20mA)
- Output accuracy $\pm 0,01\%$, $\pm 1\text{mV}$ (0~10VDC)
- Field adjustment of critical flow meter settings Smart interface (RS-232)
- Field validation of flow meter calibration
- Direct mass flow monitoring eliminates need for temperature and pressure compensation
- Greatly reduces upstream piping requirements
- Outstanding Range ability
- One-second response to changes in flow rate
- CE, EEx, CENELEC (Pending)

Specification

Accuracy : $\pm 0,5\% \text{F.S}$ ($\pm 2\% \text{Rate}$)

Fluid : Industrial gas

Flow rate : 0~1 to 0~100 smps (0~3,28 to 0~328 sfps)

Temperature range : $-10\sim 120^{\circ}\text{C}$ (230°C) $14\sim 248^{\circ}\text{F}$ (446°F)

Pressure range : 1000 psia (70 bar) maximum

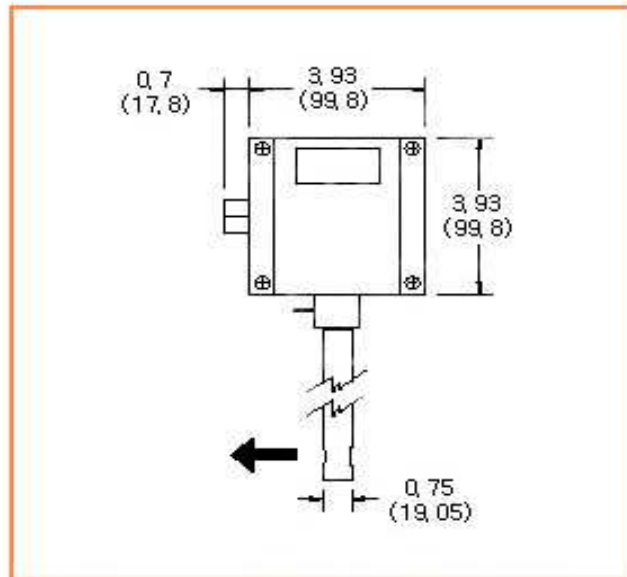
Power Requirements : DC 24 $\pm 10\%$ (regulated), 625 mA maximum

Output Signal : Linear 0-10 VDC, 4-20 mA, Relay output(High, Low)

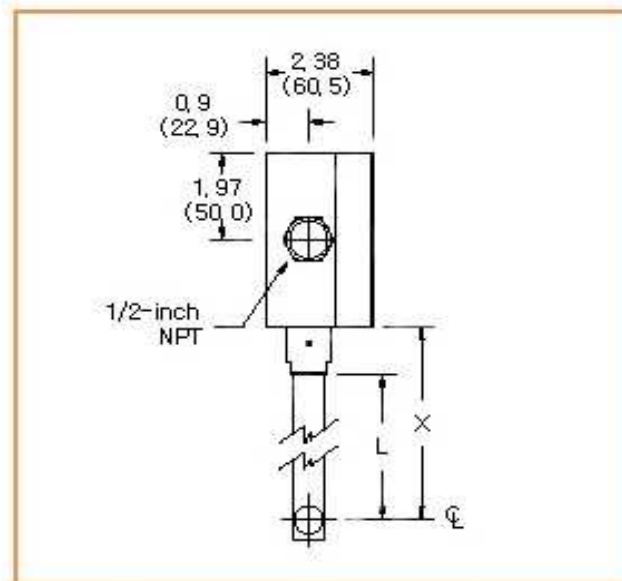
Displays : Alphanumeric 2 x 16 digit backlight LCD

Enclosure : NEMA 4X(IP65) Powder-coated cast aluminum

Dimensional Specification



Compression Fitting Front View (EN2)



Compression Fitting Side View (EN2)